



SACK TRUCKS

MODEL NO'S: **CST983.V2, CST986.V2, CST987.V2, CST988.V3**

Thank you for purchasing a Sealey product. Manufactured to a high standard, this product will, if used according to these instructions, and properly maintained, give you years of trouble free performance.

IMPORTANT: PLEASE READ THESE INSTRUCTIONS CAREFULLY. NOTE THE SAFE OPERATIONAL REQUIREMENTS, WARNINGS & CAUTIONS. USE THE PRODUCT CORRECTLY AND WITH CARE FOR THE PURPOSE FOR WHICH IT IS INTENDED. FAILURE TO DO SO MAY CAUSE DAMAGE AND/OR PERSONAL INJURY AND WILL INVALIDATE THE WARRANTY. KEEP THESE INSTRUCTIONS SAFE FOR FUTURE USE.



Refer to instructions

1. SAFETY

- ✓ Always load evenly with the centre of gravity of the load as near the centre and rear of the plate as possible.
- ✓ Obtain additional support for large or wide loads to prevent tipping.
- ✗ **DO NOT** overload the truck - see Specification.
- ✗ **DO NOT** leave unattended, especially when loaded, unless the wheels are chocked or the truck is otherwise secured.
- ✗ **DO NOT** use truck on uneven ground and do not run over curbs or steps - use a ramp.
- ✗ **DO NOT** allow others to ride on the truck.
- ✗ **DO NOT** use the truck if any part is damaged, paying particular attention to the wheels.

2. INTRODUCTION

Strong tubular steel construction with welded joints. Heavy-duty wheels feature steel inserts for added strength and durability. Can be rested on handles for flat loading. Fitted with rubber handgrips.

3. SPECIFICATION

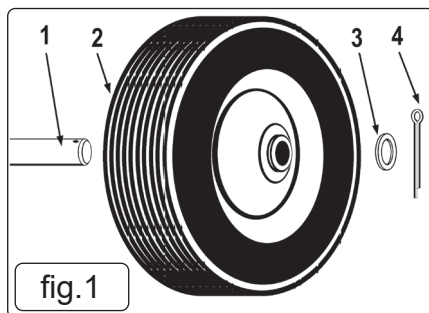
Model No:	CST983.V2	CST986.V2	CST987.V2	CST988.V3
Capacity:	150kg	200kg	200kg	250kg
Height(s):	1170mm	1100mm	1190mm	1260mm
Overall Width:	460mm	550mm	545mm	560mm
Platform Depth:	220mm	180mm	255mm	220mm
Wheel Size:	Ø210mm	Ø250mm	Ø250mm	Ø250mm
Wheel Width:	50mm	90mm	90mm	90mm



4. ASSEMBLY

4.1. WHEELS

- 4.1.1. Ensure axle is clean from dust and dirt to allow free movement of the wheel.
- 4.1.2. For Model No's. CST987.V2 and CST988.V3 the axle (fig.1.1) needs to be put through the frame before the wheels can be attached.
- 4.1.3. Slide the wheel (fig.1.2) onto the axle, put on the washer (fig.1.3) and complete by pushing the split pin (fig.1.4) through the hole in the end of the axle and bending over to retain.
- 4.1.4. Repeat for the other side.



5. FEATURES

- 5.1. Model CST983.V2 has solid tyres whilst Models CST986.V2, CST987.V2, & CST988.V3 have pneumatic tyres.
- 5.2. CST983 can be rested on its handles for flat loading.
- 5.3. CST988 is a case carrying model with a high back, 'P' handle and flat loading capabilities.

Parts support is available for this product. Please log on to www.sealey.co.uk, email sales@sealey.co.uk or telephone 01284 757500



ENVIRONMENT PROTECTION

Recycle unwanted materials instead of disposing of them as waste. All tools, accessories and packaging should be sorted, taken to a recycling centre and disposed of in a manner which is compatible with the environment. When the product becomes completely unserviceable and requires disposal, drain any fluids (if applicable) into approved containers and dispose of the product and fluids according to local regulations.



REGISTER YOUR PURCHASE HERE

Note: It is our policy to continually improve products and as such we reserve the right to alter data, specifications and component parts without prior notice.

Important: No Liability is accepted for incorrect use of this product.

Warranty: Guarantee is 12 months from purchase date, proof of which is required for any claim.

Sealey Group, Kempson Way, Suffolk Business Park, Bury St Edmunds, Suffolk. IP32 7AR



01284 757500



sales@sealey.co.uk



www.sealey.co.uk